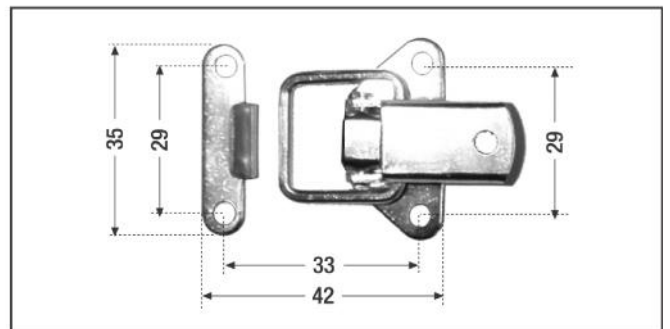


Thermal Insulation Products - Toggles & Hooks

Toggles & Hooks Type F2

Small toggle fastener designed to be used on flange and valve boxes.

Available in 304/316(L) stainless steel, zinc plated mild steel and aluminium.



dimensions in mms

DISCLAIMER

These data sheets are based on specifications, data and test results at time of publication. No guarantee as to completeness, accuracy or results is either expressed or implied. The suitability for an intended use is the responsibility of the user. As choice of material, method of application and site conditions are beyond our control we accept no liability for direct or consequential damages. Any material proved to be defective within the published shelf life* will be replaced. *From date of supply.